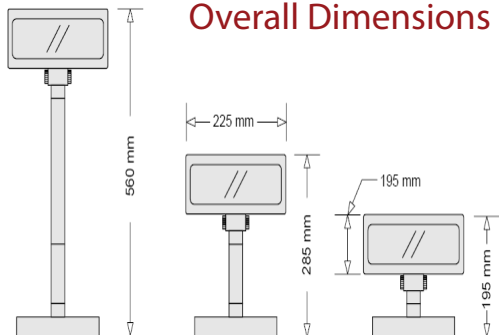


Customer Display

VFD Display
RPD-200



Features

- Data can be display on 20 columns X 2 lines.
- Display panel is adjustable to provide the best view angle.
- Provide 2 pole for best position installation.
- Esc/pos command compatible.
- International character set is selectable.
- User-defined characters can be downloaded.
- User-defined message can be download.
- Green power function.
- Provides interface on RS-232C , USB for option.

Specifications

Model - RPD200

Display

Display method	VFD display (blue green)
Brightness	700 cd/m2
Number of character	20 columns x 2 lines

Viewing

Character type	5 x 7 dot matrix
Character size	9.03 x 5.25mm
Fonts	96 alphanumeric 13 international character sets 1 user define character
Viewing angle (Horizontal)	120 degrees
Viewing angle (Vertical)	90 degrees
Rotation angle (Horizontal)	350 degrees
Tilt angle	0 ~ 60 degrees

Electrical

Power supply	9 ~ 45Vdc 5Vdc
Power consumption	6W (Max.)
MTBF	25,000 hours (working hours)

Operations

Operating temperature	0 ~ 50
Operating humidity	5 ~ 95 %RH
Storage temperature	-20 ~ 60
Storage humidity	5 ~ 95 %RH
Panel dimensions	224 (W) x 93 (H) x 50(D) mm
External dimensions	Long 225(W) x 100(D) 560(H)mm Middle 225(W) x 100(D) 285(H)mm Short 225(W) x 100(D) 195(H)mm

Connectivity	RPD-200 SU - Connect-Serial Power - USB RPD-200 SA - Connect-Serial Power - External Adaptor RPD-200 UB - Connect-USB Power - USB
--------------	---

Weight	1.25 Kg
--------	---------

• Note: All features and specifications are subject to change without notice.
All information subject to mistakes and alteration.